

**TOWN SQUARE™ RIGHT HEIGHT™
ELONGATED TOILET**

2797 016

- Vitreous china
- Low-consumption (6.0 Lpf/1.3 gpf)
- Elongated siphon jet action bowl with 50mm (2") trapway
- AquaForce flushing technology
- Right Height bowl rim height at 419mm (16-1/2")
- American classic styling on bowl and tank design matched to pedestal and countertop sinks
- Front-mounted chrome trip lever design matched to Town Square faucets
- Design matched molded elongated Town Square seat and cover (5725 027) included
- 2 bolt caps
- Internal trapway area fully glazed
- 100% factory flush tested



Separate Component Parts:

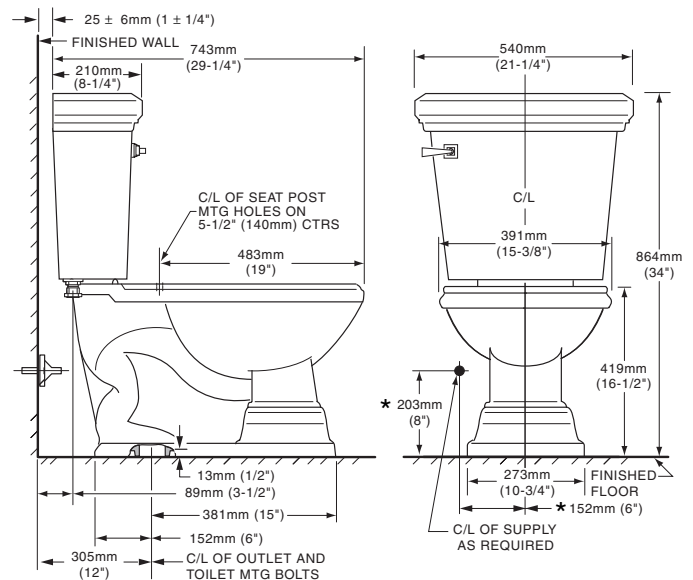
3797 016 Bowl

4707 016 Unlined Tank

Nominal Dimensions:
(743 x 540 x 864mm)
(29-1/4" x 21-1/4" x 34")

**Compliance Certifications -
Meets or Exceeds the Following Specifications:**

- ASME A112.19.2M (and 19.6M)
- CAN/CSA B45 series
- 1995 National Building Code, section 3.7 and CAN/CSA-B651-M90 and OBC 3.7.



To Be Specified

- Colour: White Bone Linen Black
- Supply with stop:

NOTES:

THIS TOILET IS DESIGNED TO ROUGH-IN AT A MINIMUM DIMENSION OF 305MM (12") FROM FINISHED WALL TO C/L OF OUTLET. SUPPLY NOT INCLUDED WITH FIXTURE AND MUST BE ORDERED SEPARATELY. * DIMENSION SHOWN FOR LOCATION OF SUPPLY IS SUGGESTED. FOR ADDITIONAL INFORMATION REFER TO INSTALLATION INSTRUCTIONS SUPPLIED. IMPORTANT: Dimensions of fixtures are nominal and may vary within the range of tolerance established by ANSI Standard A112.19.2. These measurements are subject to change or cancellation. No responsibility is assumed for use of superseded or voided pages.



● When installed so top of seat is 432 to 483mm (17" to 19") from the finished floor.

MEETS THE AMERICAN DISABILITIES ACT GUIDELINES AND ANSI A117.1 REQUIREMENTS FOR ACCESSIBLE AND USEABLE BUILDING FACILITIES- CHECK LOCAL CODES.