

**STUDIO CADET® 3 RIGHT HEIGHT™
ROUND FRONT TOILET**

2579 016

- Vitreous china
- EverClean® surface inhibits the growth of stain- and odor-causing bacteria, mold, and mildew on the surface
- Low-consumption (6.0 Lpf/1.3 gpf)
- Features the **Cadet® 3 Flushing System**
- 16-1/2" (419mm) rim height for accessible applications
- Space saving round front siphon action jetted bowl
- Fully glazed 2-1/8" (54mm) trapway with 2" (51mm) ball pass
- Generous 9" x 8" (229x203mm) water surface area
- Close-coupled tank with flat tank cover for superior storage
- Oversized 3" (76mm) flush valve with chemical resistant flapper
- Chrome trip lever
- Speed Connect® tank-to-bowl coupling system
- Sanitary dam on bowl with four point tank stabilization
- 2 colour-matched bolt caps
- 100% factory flush tested
- 5 year warranty

Separate Component Parts:

- 3005 016** Right Height™ Round Front Bowl
- 4202 016** Tank

- 2579 500** Same as above with Lined Tank:
 - 3005 016** Right Height™ Round Front Bowl
 - 4202 500** Tank complete with Aquaguard Liner

Nominal Dimensions:

717 x 456 x 769mm
(28-1/4" x 18" x 30-1/4")

Fixture only, seat and supply by others

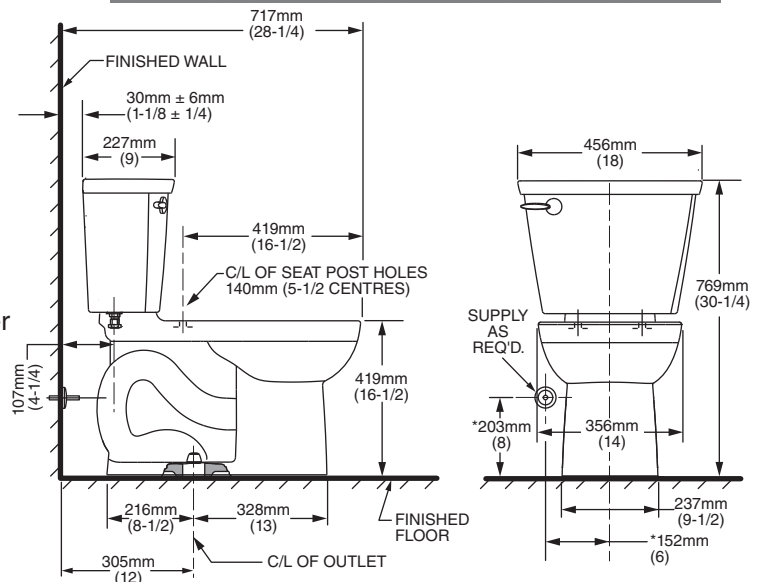
Compliance Certifications -

Meets or Exceeds the Following Specifications:

- ASME A112.19.2-2008/CSA B45.1-08

To Be Specified

- Colour: White Bone Silver Linen Black
- Seat: #5330 010 Round Front Champion® Slow Close solid plastic seat and cover with easy lift off feature
- Seat: #5282 011 Round Front EverClean® solid plastic seat and cover
- Seat: #5320 110 EverClean® Round Front Seat with Slow Close Snap-Off Hinges
- Supply with stop:



NOTES:

THIS COMBINATION IS DESIGNED TO ROUGH-IN AT A MINIMUM DIMENSION OF 305MM (12") FROM FINISHED WALL TO C/L OF OUTLET.
 * DIMENSION SHOWN FOR LOCATION OF SUPPLY IS SUGGESTED. SUPPLY NOT INCLUDED WITH FIXTURE AND MUST BE ORDERED SEPARATELY.
 IMPORTANT: Dimensions of fixtures are nominal and may vary within the range of tolerance established by ANSI Standard A112.19.2
 These measurements are subject to change or cancellation. No responsibility is assumed for use of superseded or voided pages.

CADET® 3
Flushing System



● When installed so top of seat is 432 to 483mm (17" to 19") from the finished floor.
MEETS THE AMERICAN DISABILITIES ACT GUIDELINES AND ANSI A117.1 REQUIREMENTS FOR ACCESSIBLE AND USEABLE BUILDING FACILITIES-CHECK LOCAL CODES.