

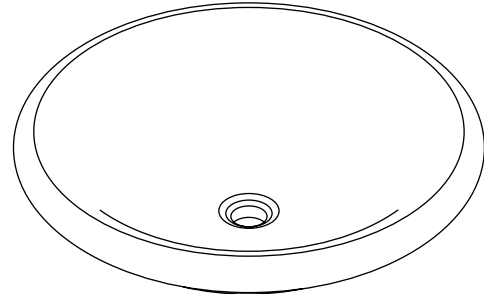
Features

- Marble
- Without overflow
- Above-the-counter installation
- Rolled rim
- ADA compliant when distance from rim to floor is 34" (86.4 cm)
- 22" (55.9 cm) diameter

Codes/Standards Applicable

Specified model meets or exceeds the following:

- ADA
- ICC/ANSI A117.1



Colors/Finishes

- WH: White Carrera Marble

Accessories

- CP: Polished Chrome
- Other: Refer to Price Book for additional colors/finishes

Specified Model

Model	Description	Colors/Finishes
K-2333	Lavatory – above-the-counter	<input type="checkbox"/> WH
Required Accessories		
K-7725	Lavatory drain with non-removable metal stopper without overflow OR	<input type="checkbox"/> CP <input type="checkbox"/> Other_____
K-7726	Lavatory grid drain without overflow	<input type="checkbox"/> CP <input type="checkbox"/> Other_____
Recommended Accessories		
K-T198	Falling Water® faucet trim with 10-1/4" (26 cm) spout OR	<input type="checkbox"/> CP <input type="checkbox"/> Other_____
K-T199	Falling Water faucet trim with 12" (30.5 cm) spout	<input type="checkbox"/> CP <input type="checkbox"/> Other_____
K-9018	P-Trap	<input type="checkbox"/> CP <input type="checkbox"/> Other_____

Product Specification

The vessels lavatory shall be made of marble. Product shall feature a rolled rim and 22" (55.9 cm) diameter. Product shall be ADA compliant when the distance from rim to floor is 34" (86.4 cm). Product shall be for above-the-counter installation. Product shall be without overflow. Product shall be Kohler Model K-2333-WH.

BOTTICELLI™

Technical Information

Fixture:*	
Basin area	22" (55.9 cm) D.
Water depth	4-1/2" (11.4 cm)
Drain hole	1-3/4" (4.4 cm) D.
* Approximate measurements for comparison only.	
Included components:	
Cut-out template	1023121-7

Installation Notes

Install this product according to the installation guide.

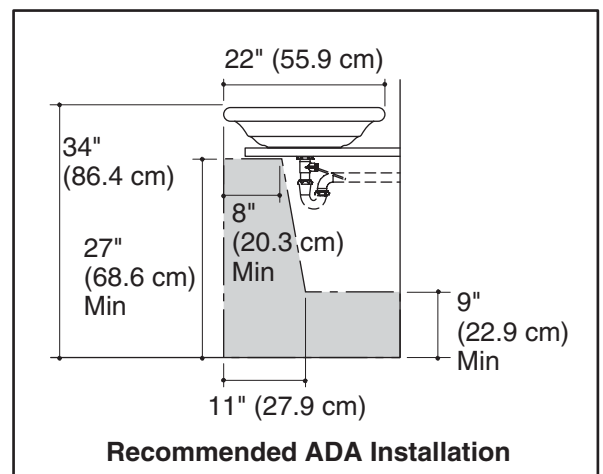
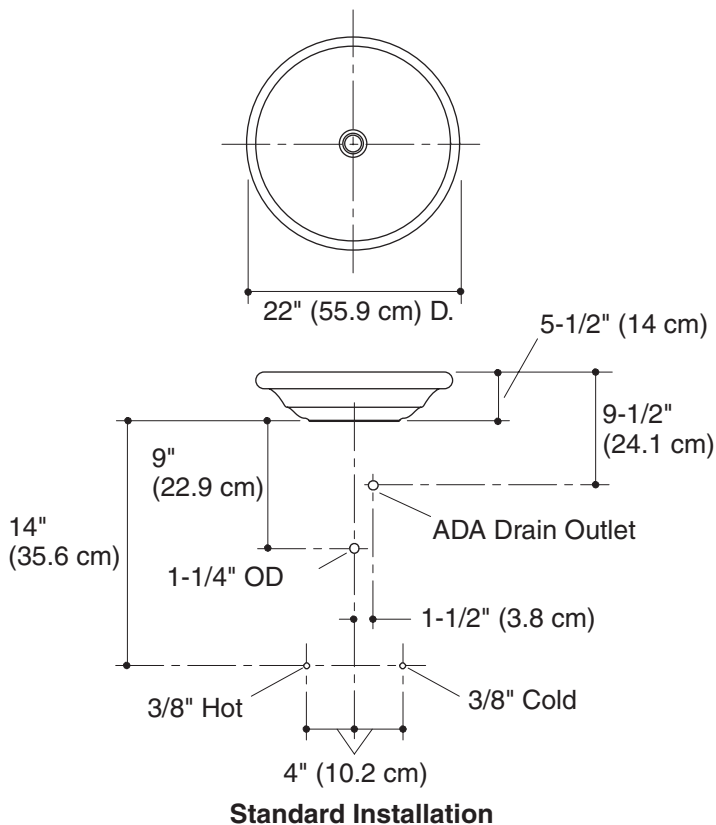
Product does not have an overflow.

Choose a faucet that will provide adequate clearance and will direct the water stream to the center of the lavatory.

Spout must be mounted high enough to clear 5-1/2" (14 cm) rim height and provide a 1" (2.5 cm) min air gap per ASME A112.1.2.

NOTICE: Countertop manufacturer or cutter must use the cut-out template provided with the product, or a current one provided by Kohler (call 1-800-4-KOHLER). Kohler is not responsible for cutout errors when incorrect cut-out template is used.

Product rests on a countertop. Consider height of product when designing installation.



Product Diagram