

CELERITY ABOVE-COUNTER VESSEL SINK

0514 000

- Above-Counter Round Vessel Sink
- Vitreous china
- Spacious basin
- No overflow
- No faucet holes
- Recommended faucet - One Vessel Faucet 2064 152 (faucet shown not included)

Nominal Dimensions:

432mm (17" dia.)

Bowl sizes:

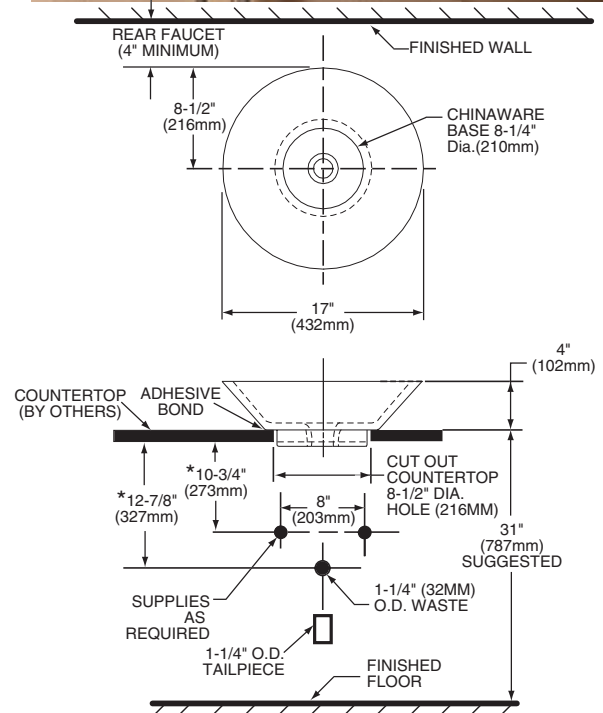
102mm (4") height

Compliance Certifications -

Meets or Exceeds the Following Specifications:

- ASME A112.19.2M for Vitreous China Fixtures

- Supplied with cut-out template
(ONE Series faucet shown not included)



Compliance Certifications -

Meets or Exceeds the Following Specifications:

- ASME A112.19.2M for Vitreous China Fixtures

To Be Specified:

- Colour: White Only
- Faucet*:
- Faucet Finish:
- Supplies:
- 1-1/4" Trap:

* See faucet section for additional models available

NOTES:

*DIMENSIONS SHOWN FOR LOCATION OF SUPPLIES AND "P" TRAP ARE SUGGESTED. FAUCETS NOT INCLUDED WITH FIXTURE AND MUST BE ORDERED SEPARATELY. FOR COUNTERTOP CUTOUT SEE INSTALLATION INSTRUCTIONS SUPPLIED WITH SINK.

IMPORTANT: Dimensions of fixtures are nominal and may vary within the range of tolerances established by ANSI Standard A112.19.2. These measurements are subject to change or cancellation. No responsibility is assumed for use of superseded or voided pages.