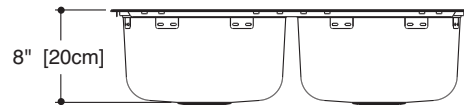
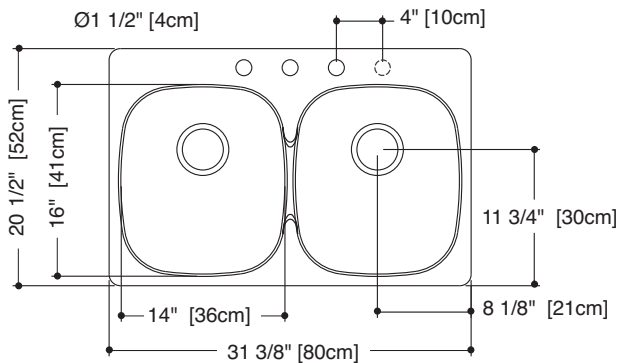




Optional Accessories



QVDL2031/8 SPECIFICATION

Model QVDL2031/8 is a double bowl sink manufactured for Franke Kindred Canada Limited from 20 gauge, 18-8 stainless steel. Product has radiant silk finished bowls and brush finished deck. Sink has sound dampening pads. Basket strainer waste fitting (3 1/2", 89 mm), template and installation kit are included. Sink is backed with a limited buyer lifetime warranty.

- O.D. 20 1/2" x 31 3/8" x 8" (52 x 80 x 20 cm)
- **Recommended for minimum 33" cabinet**

QVDL2031/8/3 3 hole, 1 1/2" diameter, 4" center-to-center FUN# 101.0045.275

QVDL2031/8/4 4 hole - 4th hole on right hand side FUN# 101.0045.276

QVDL2031/8/1 1 hole on centre FUN# 101.0045.274